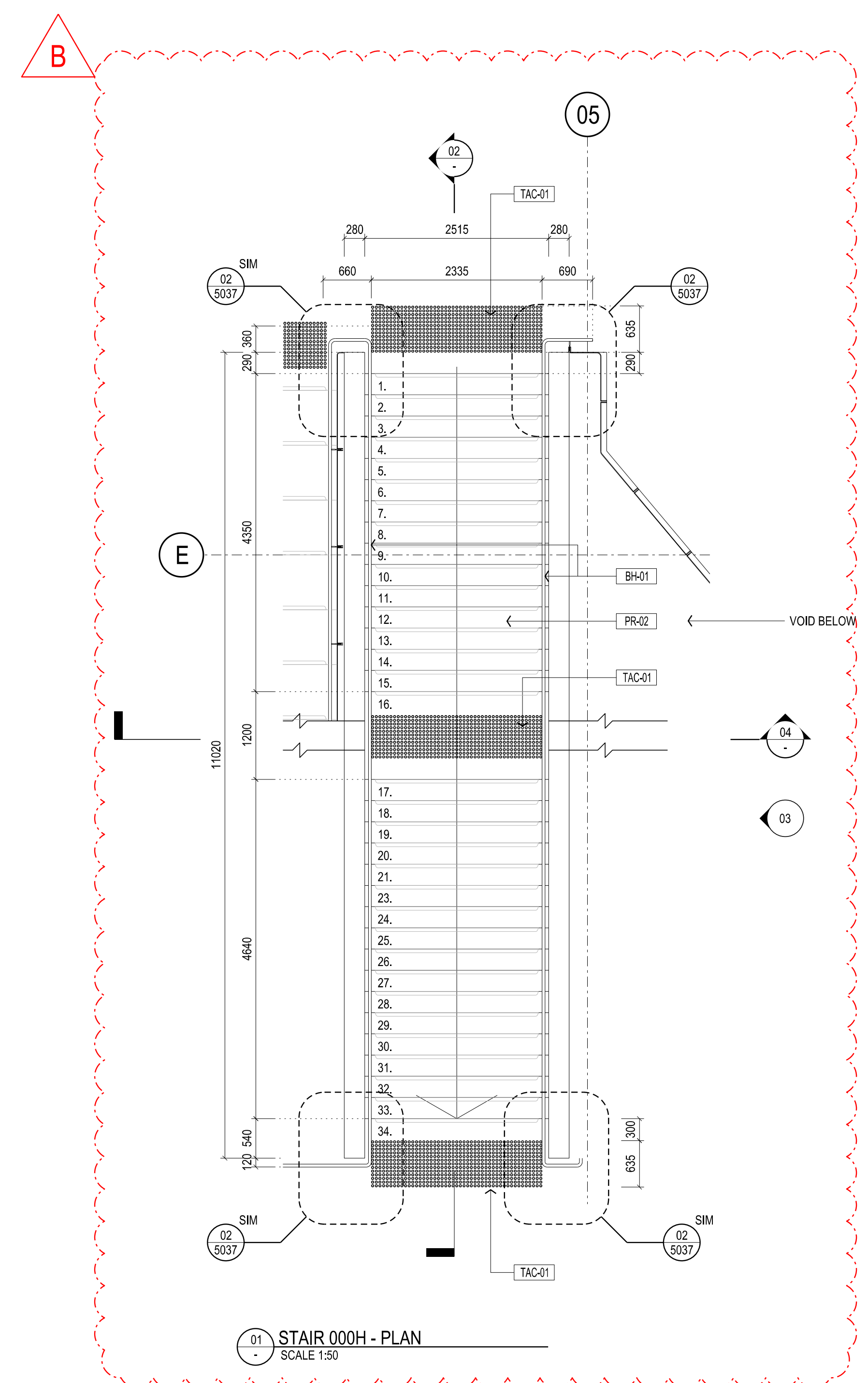
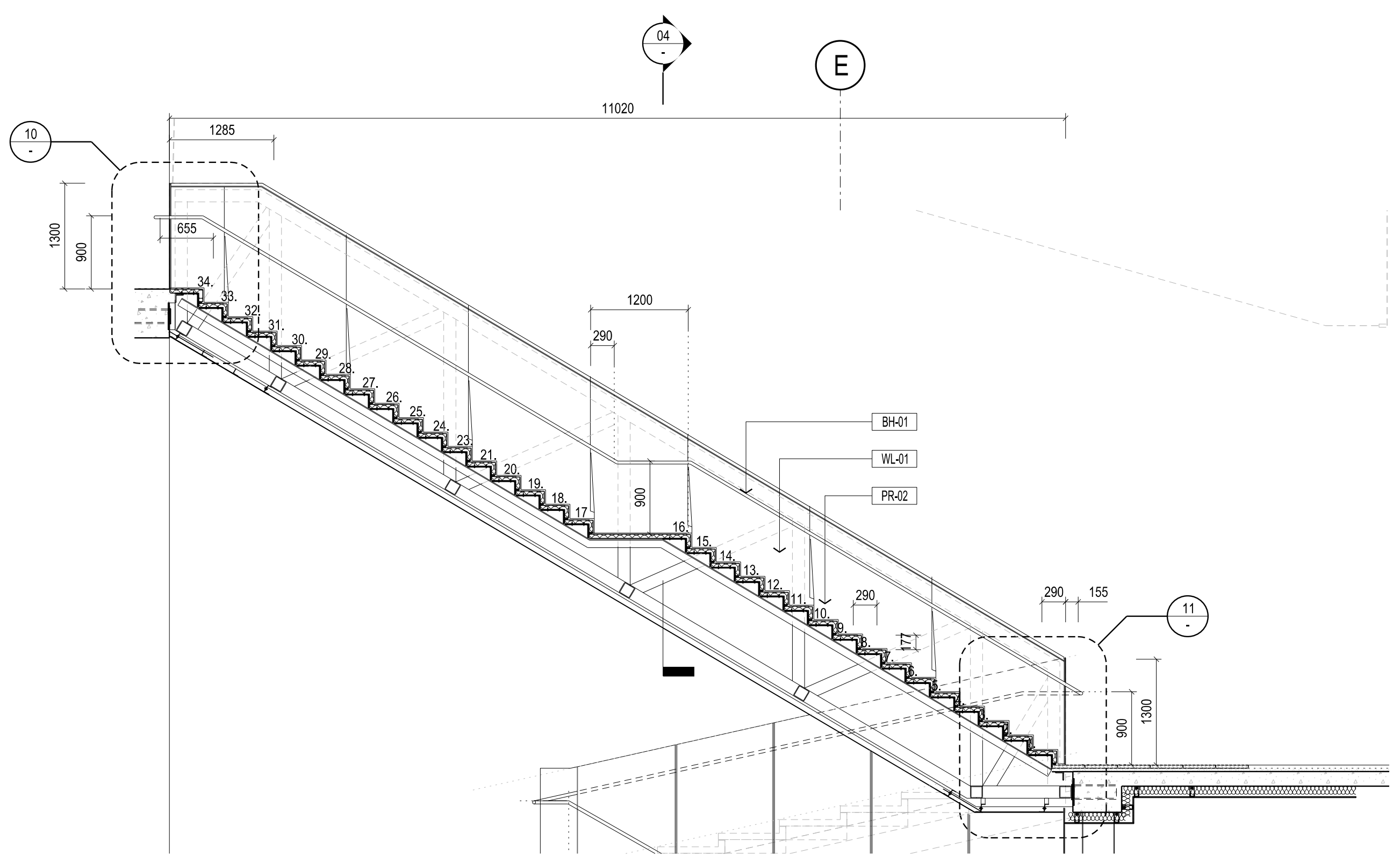


CONTRACTORS SHALL VERIFY JOB DIMENSIONS BEFORE ANY JOB COMMENCES. ALL SHOP DRAWINGS SHALL BE SUBMITTED TO THE SUPERINTENDENT AND MANUFACTURERS SHALL NOT COMMENCE FROM THE RETURN OF DIMENSIONS SHOP DRAWINGS BEING BY THE CONSULTANT FIGURED DIMENSIONS SHALL TAKE PRECEDENCE OVER SCALED. THIS DRAWING SHALL BE READ IN CONNECTION WITH ALL RELEVANT CONTRACT SPECIFICATIONS AND DRAWINGS COPYRIGHT OF THIS DRAWING IS VESTED IN WARDLE

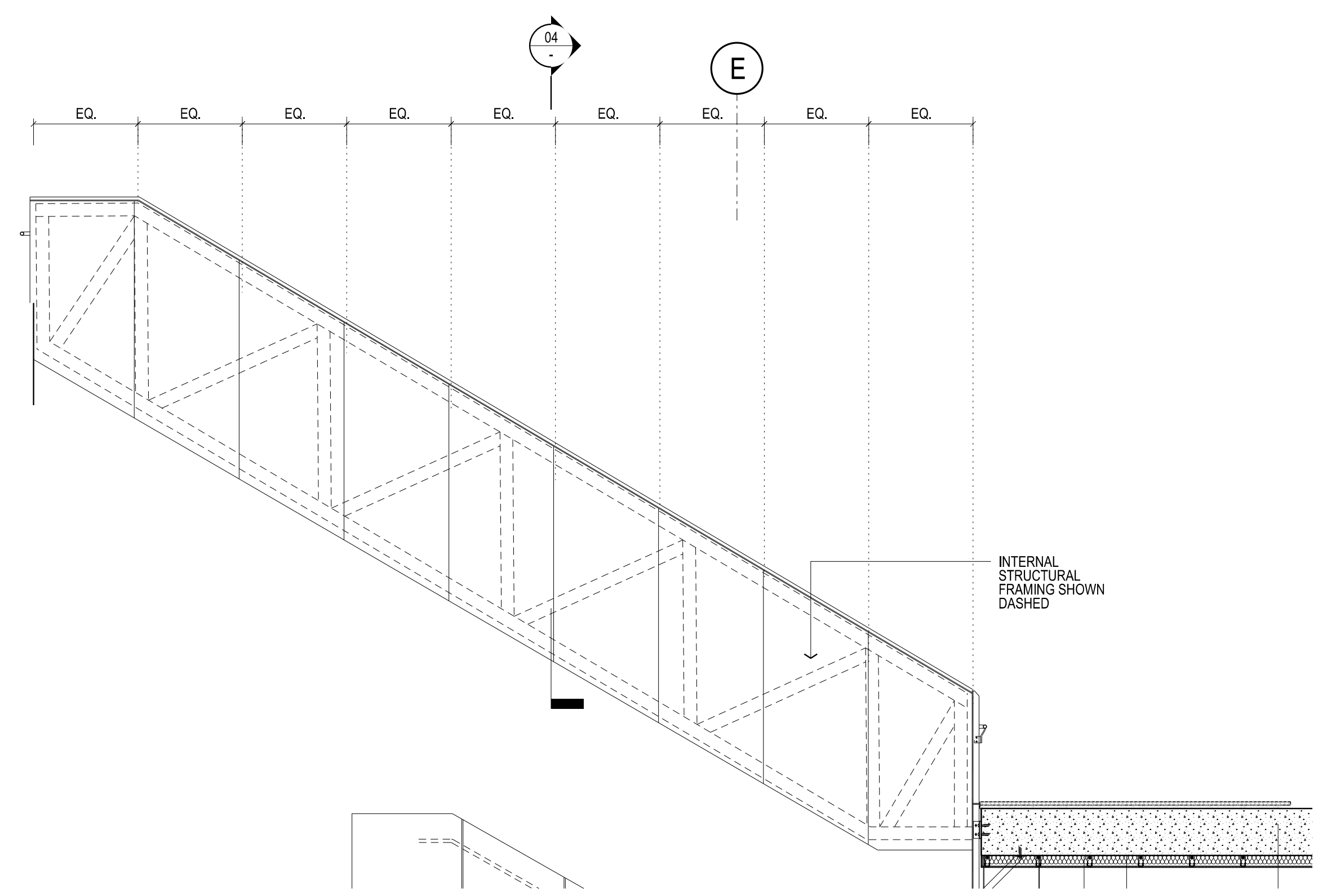
General Notes



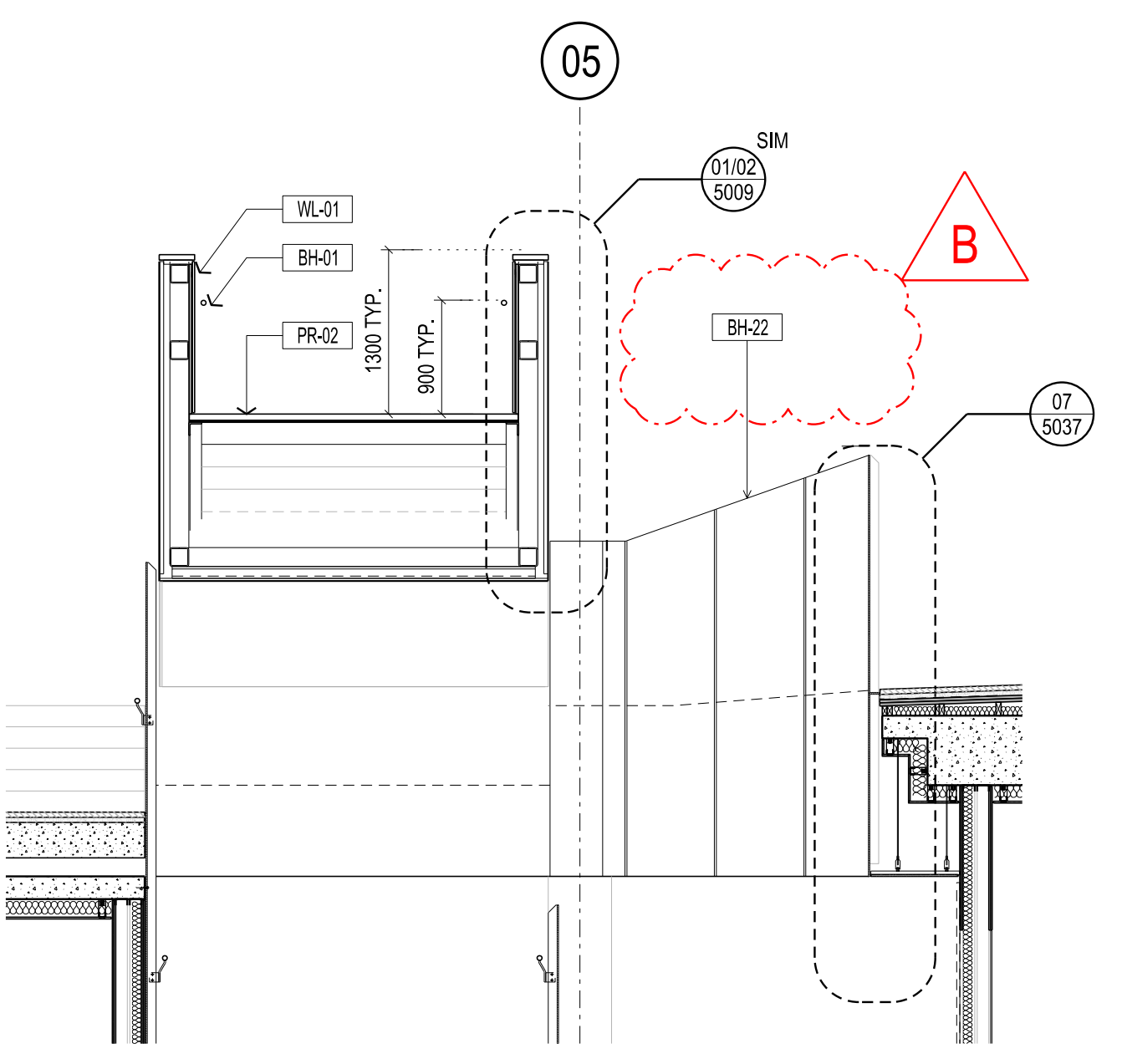
01 STAIR 000H - PLAN
SCALE 1:50



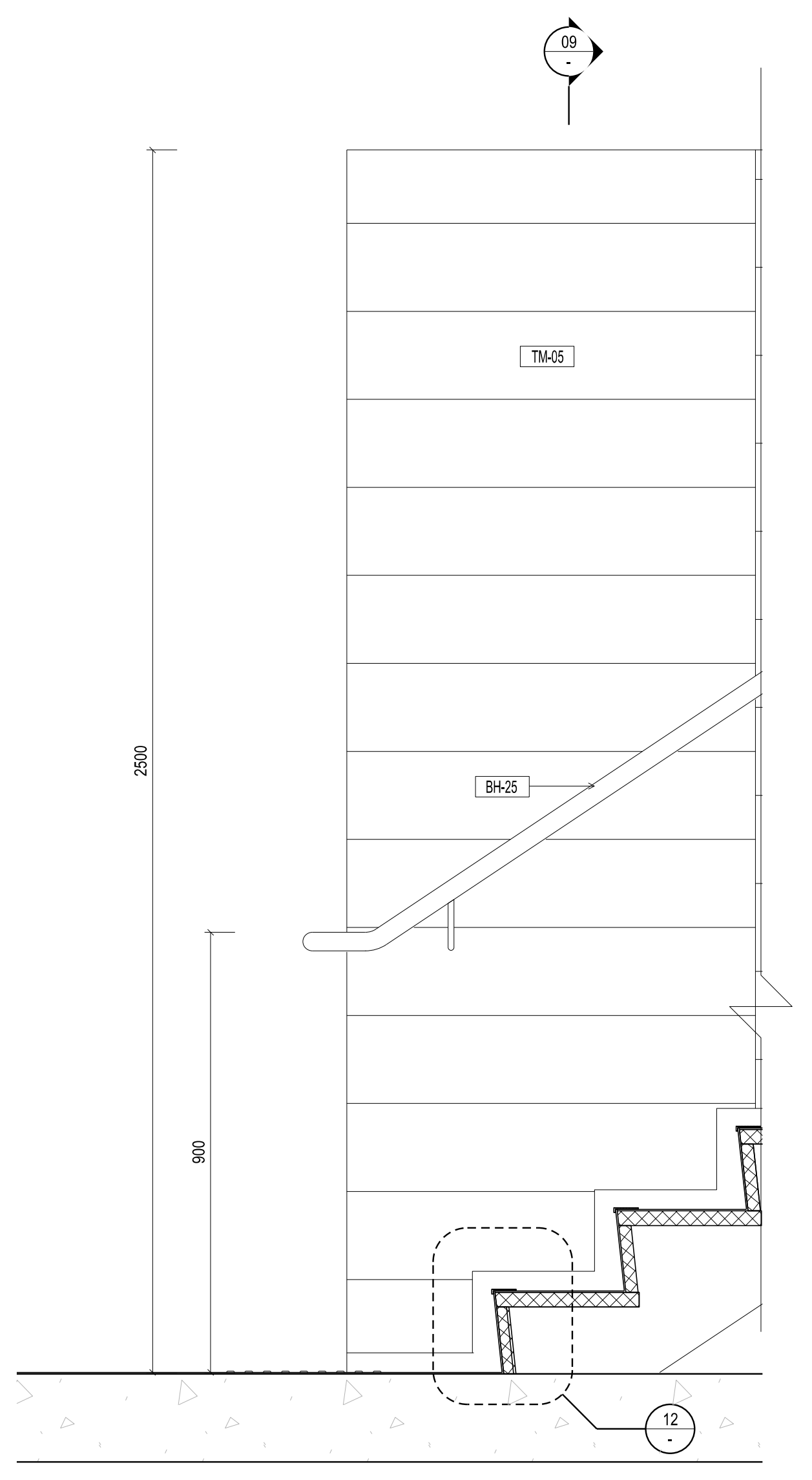
02 STAIR 000H - SECTION
SCALE 1:50



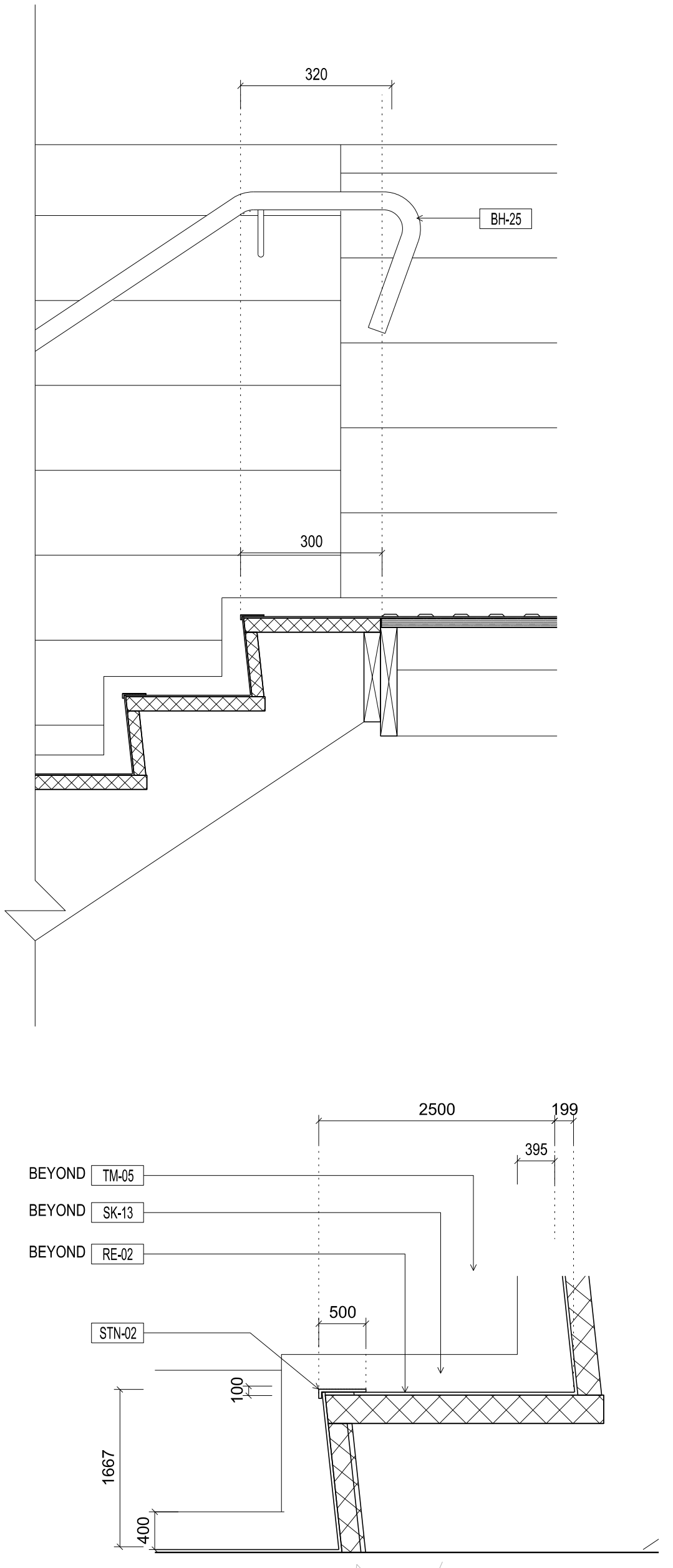
03 STAIR 000H - ELEVATION
SCALE 1:50



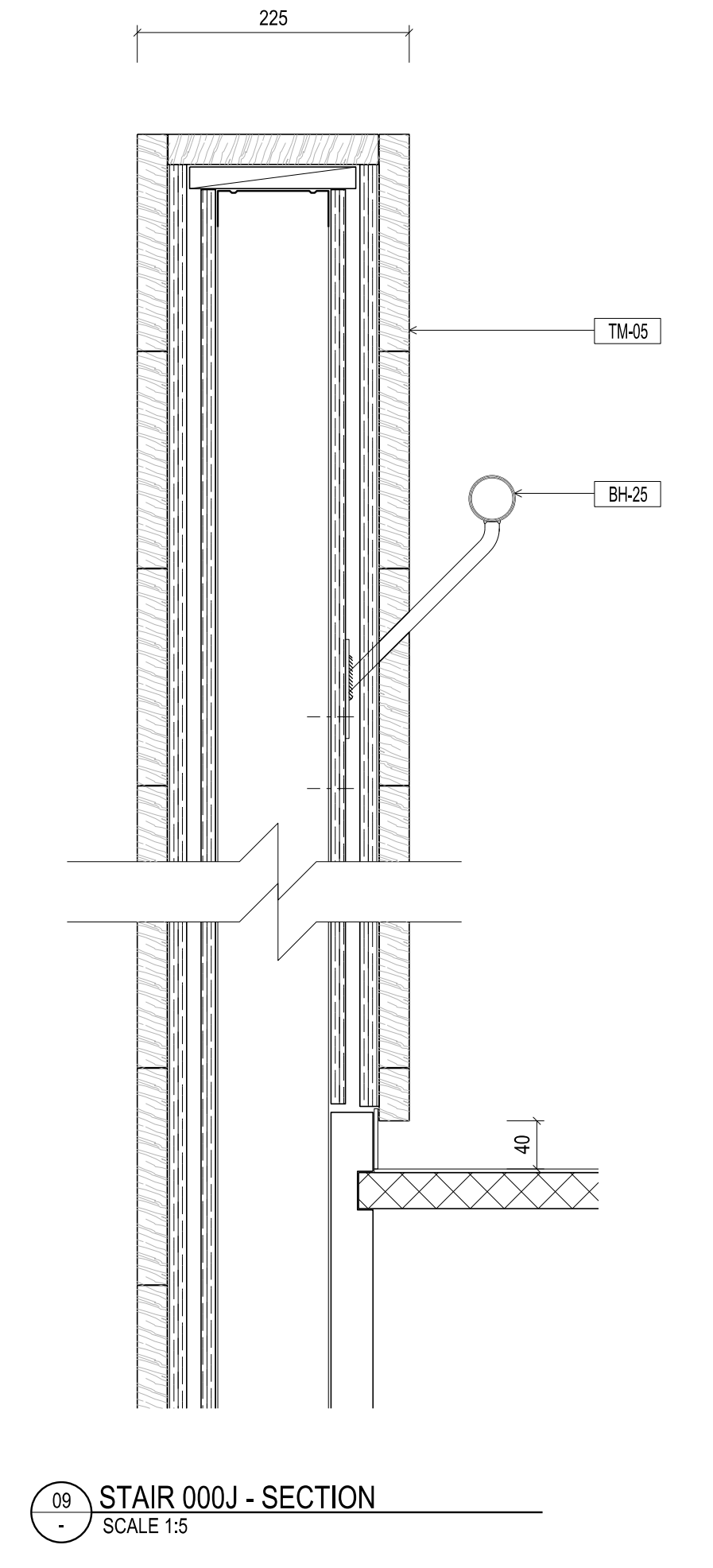
04 STAIR 000H - SECTION
SCALE 1:50



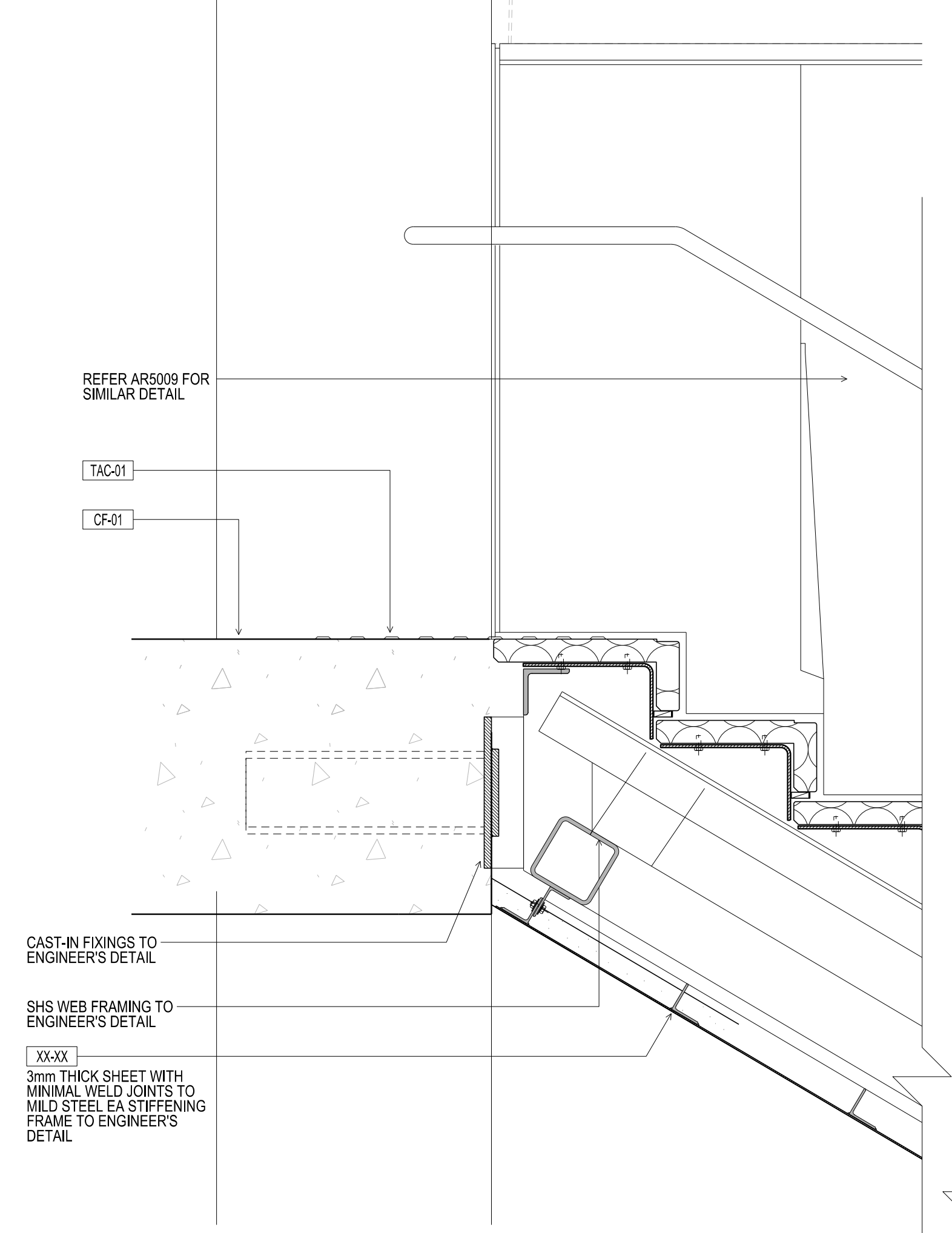
08 STAIR 000J - SECTION
SCALE 1:10



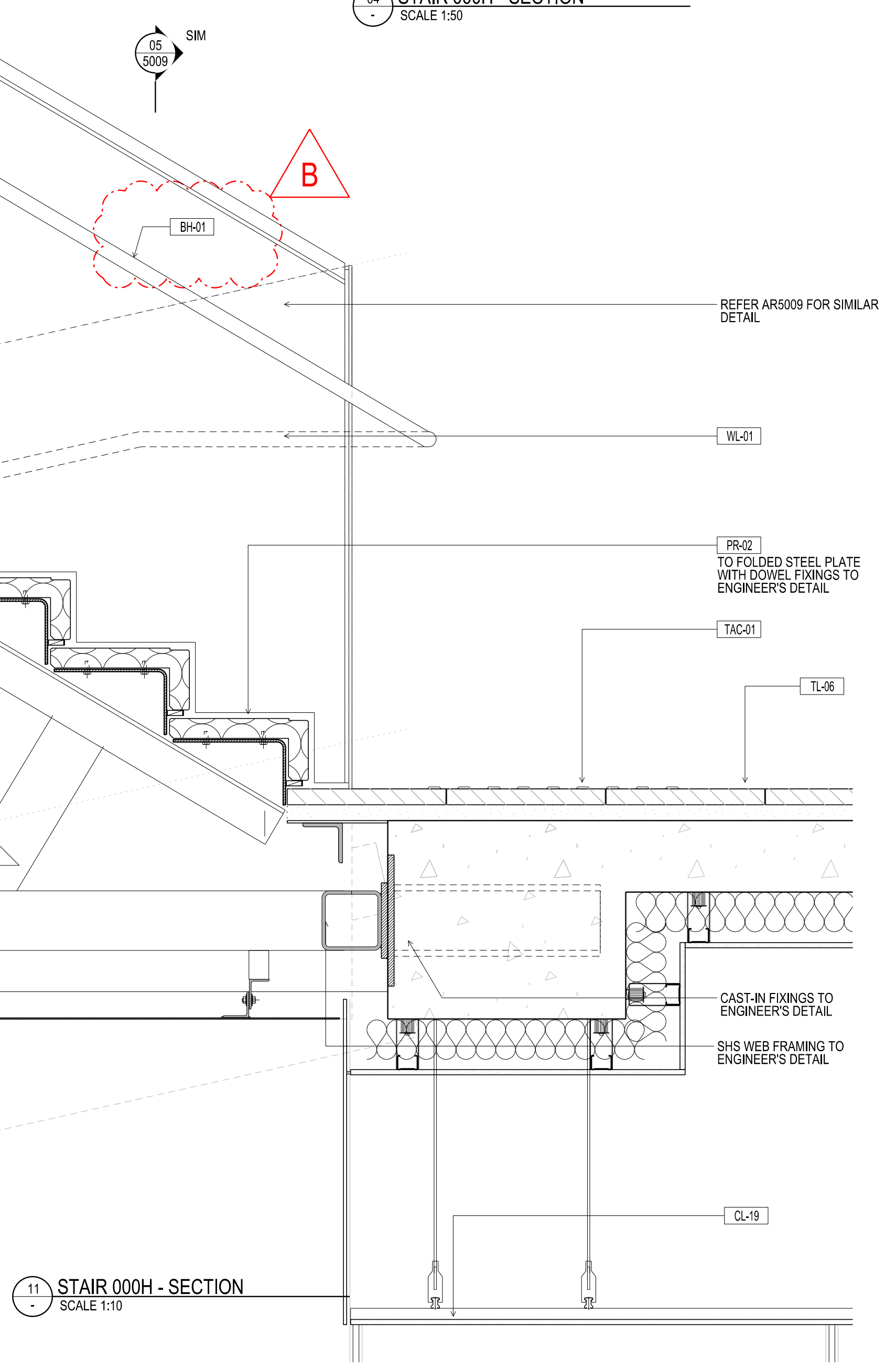
12 STAIR 000J - NOSING DETAIL
SCALE 1:10



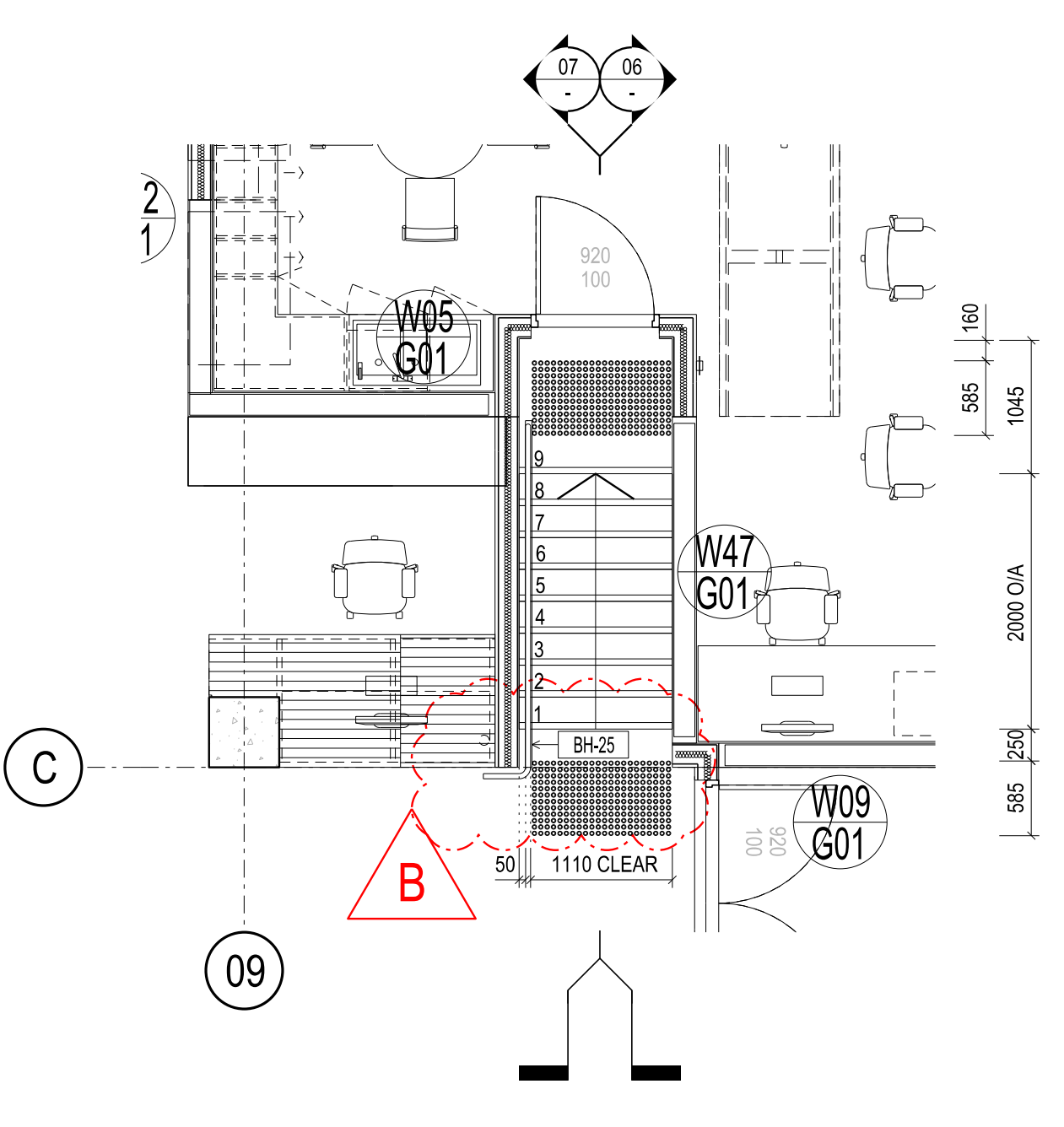
09 STAIR 000J - SECTION
SCALE 1:5



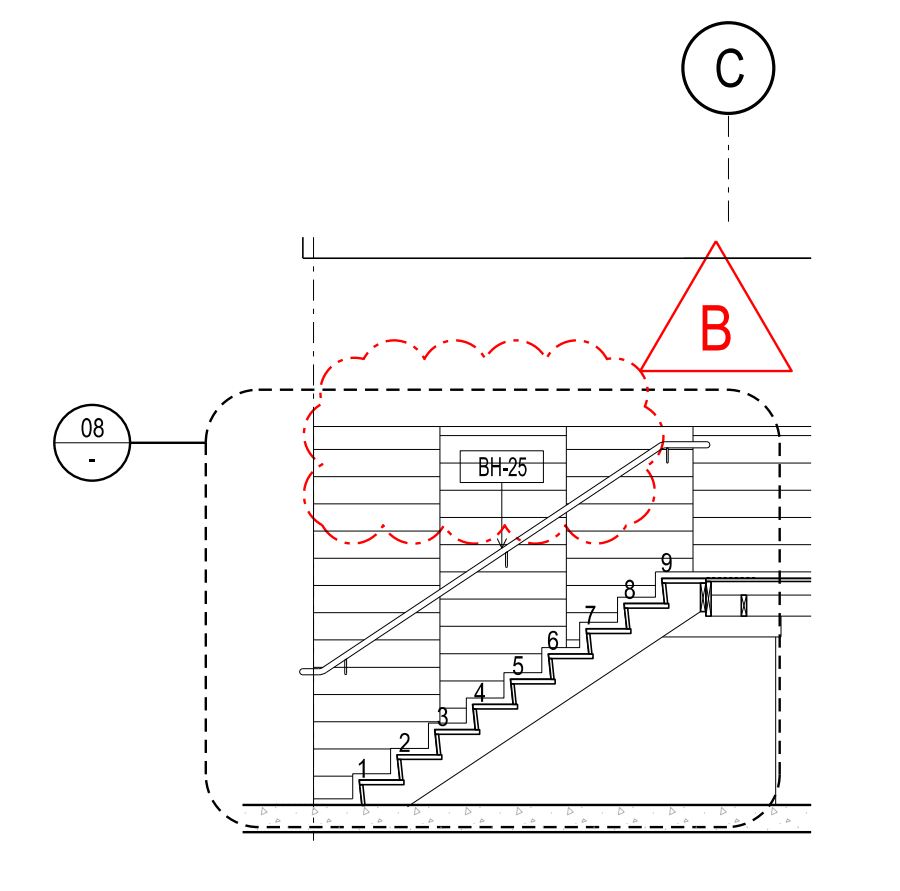
10 STAIR 000H - SECTION
SCALE 1:10



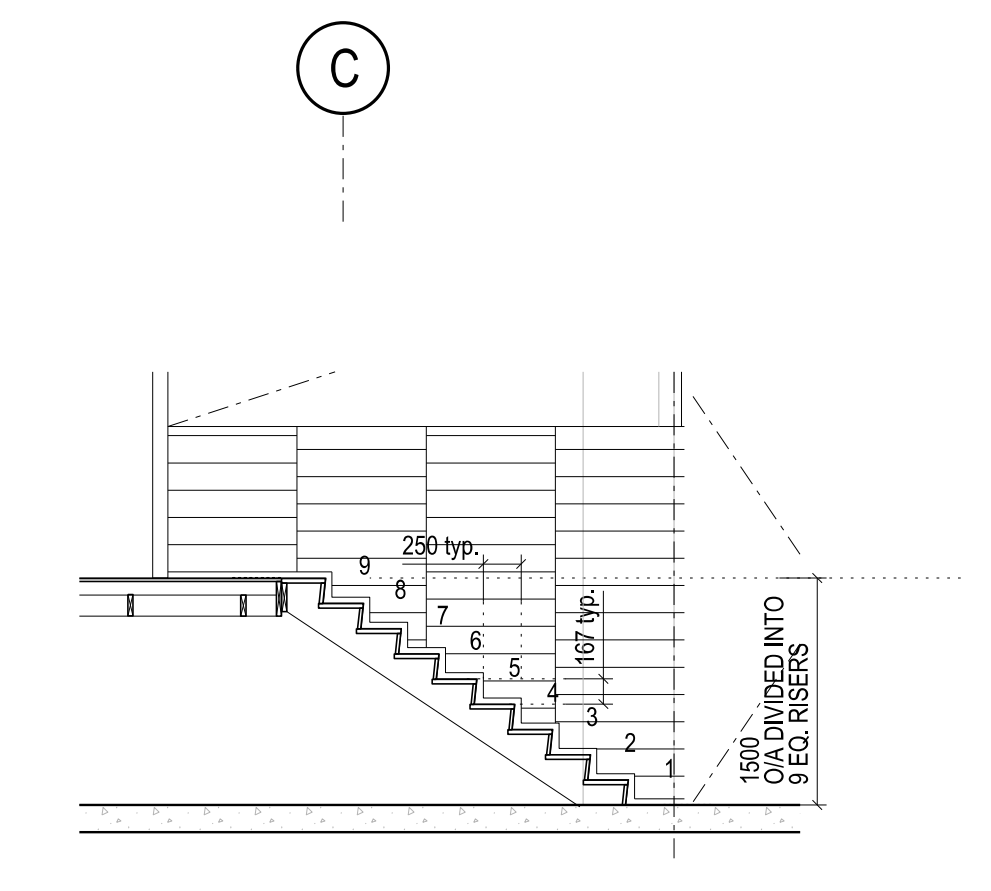
11 STAIR 000H - SECTION
SCALE 1:10



06 STAIR 000J - PLAN
SCALE 1:50



05 STAIR 000J - SECTION
SCALE 1:50



07 STAIR 000J - SECTION
SCALE 1:50

B	SG	BALUSTRADE UPDATES AS CLOUDED	KW	28.01.14
A	SG	BALUSTRADE UPDATES AS CLOUDED	-	27.08.13
05	SG	BUILDING PERMIT UPDATE	-	24.05.13
STAIR INFORMATION ADDED				
ISSUED TO SUIT ADDITIONAL DWG SHEET				
04	SG	VALUE MANAGEMENT ISSUE	-	28.03.13
03	SG	100% CD - TENDER ISSUE	-	07.08.12
02	SG	90% CD ISSUE	-	10.08.12
01	SG	75% CD ISSUE	-	13.07.12
Rev	Issue	Revision Description	And	Date



Client: University of Melbourne
Parkville Campus

Project: Faculty of Architecture
Building and Planning

Title: STAIR DETAILS
STAIR 000H & STAIR 000J

Project No.	0913	Scale	1:50 @ A0 1:100 @ A2
Drawing No.	AR5035	Revision	B

Date: July 2012 Drawn: Co-Ord: Check:

FILENAME - \$FILES

FOR CONSTRUCTION